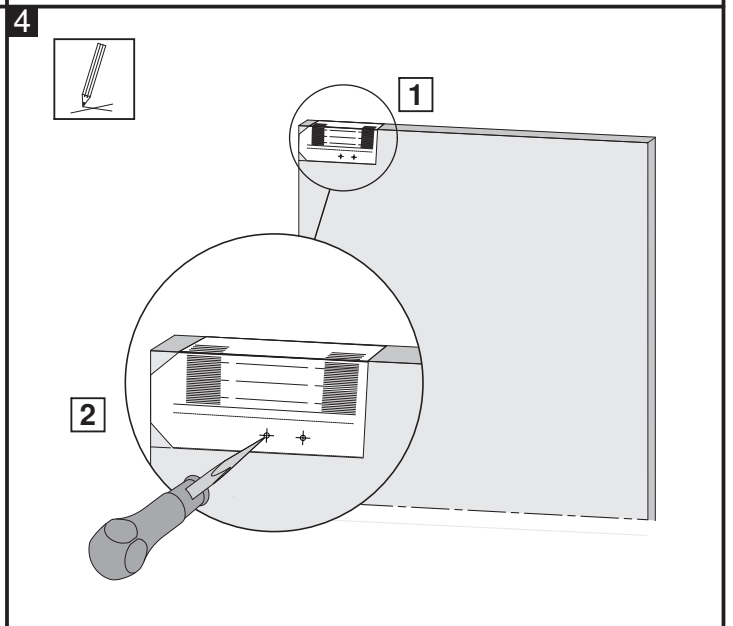
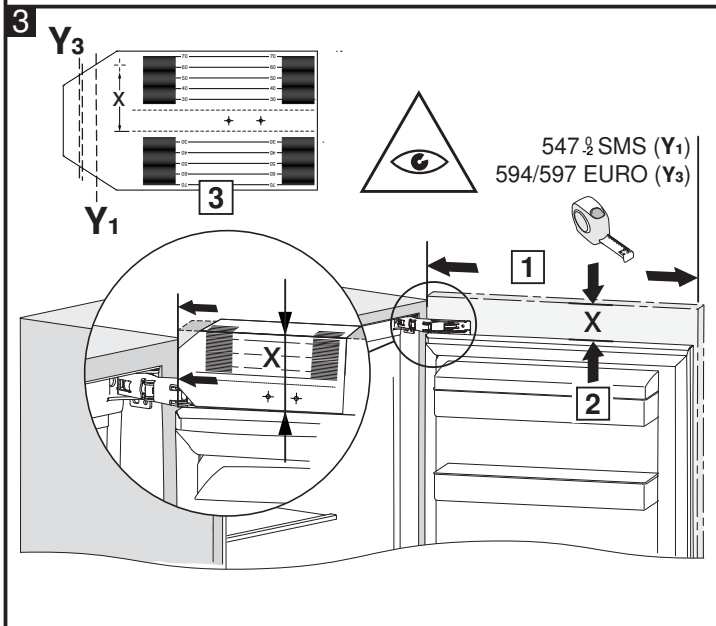
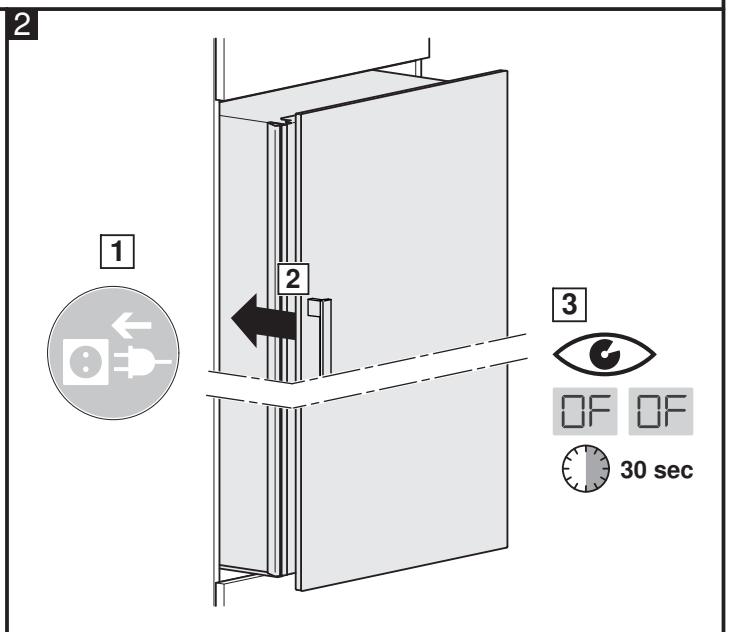
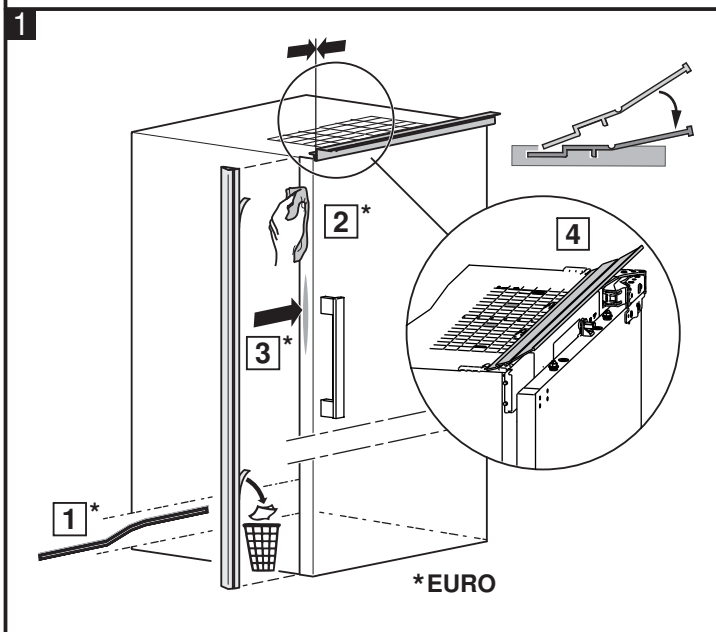
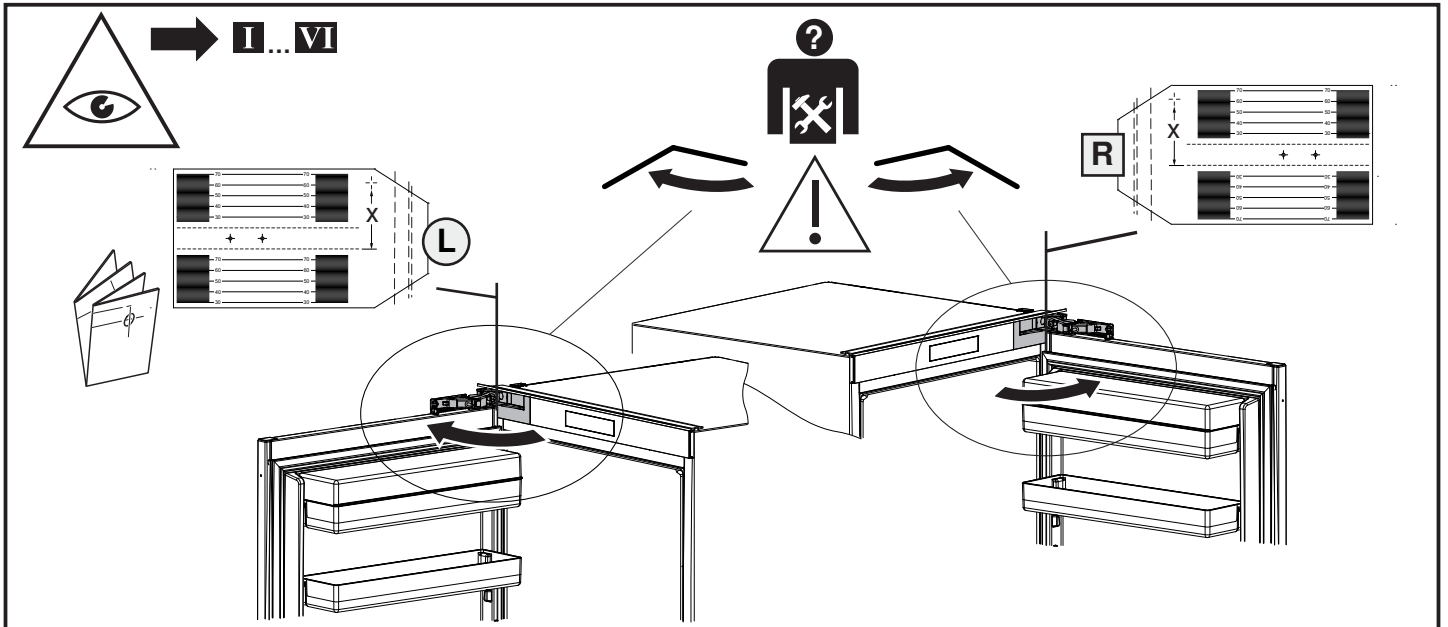
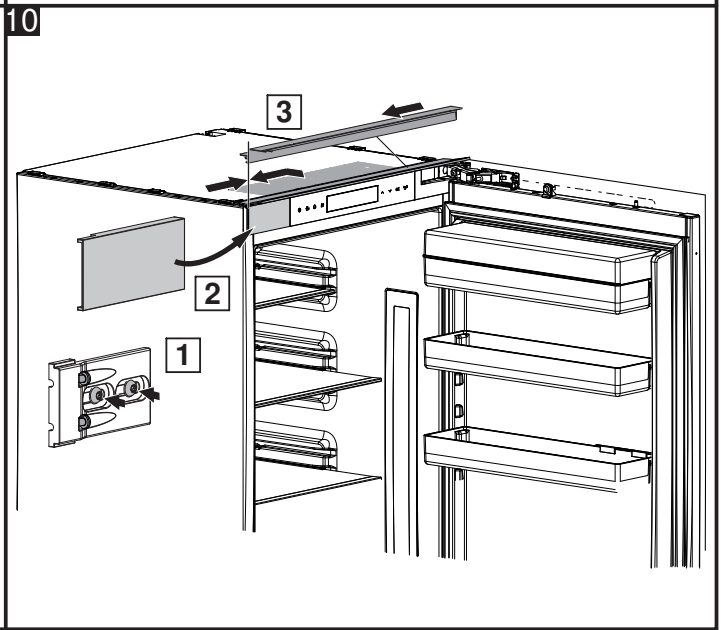
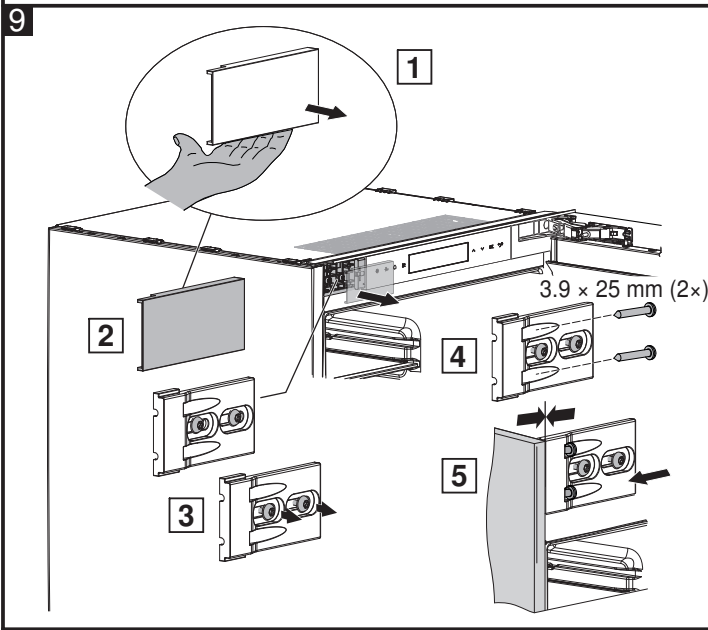
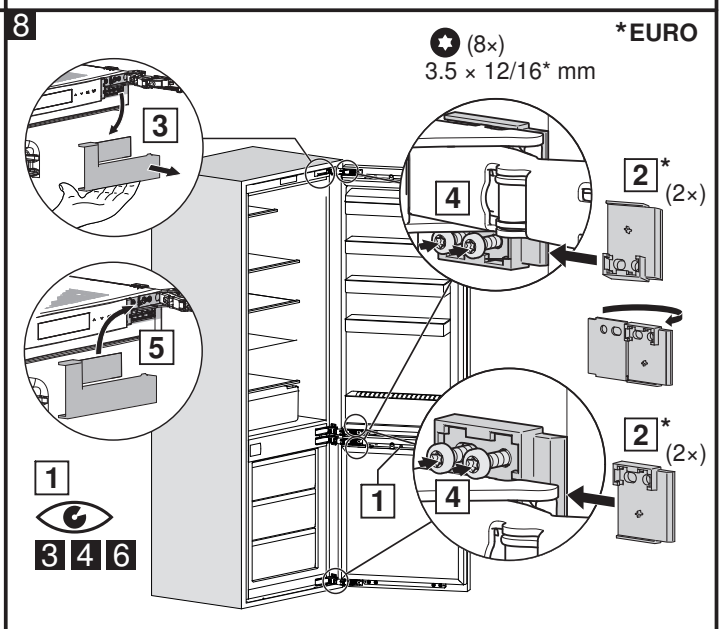
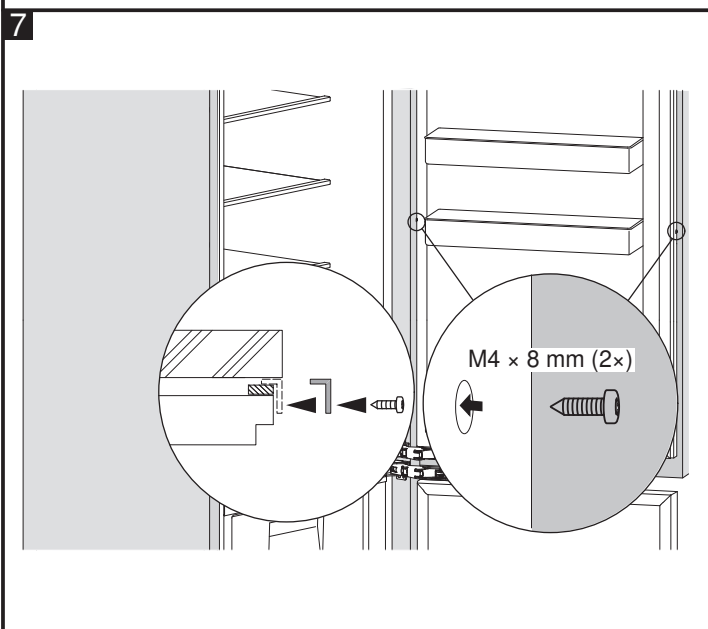
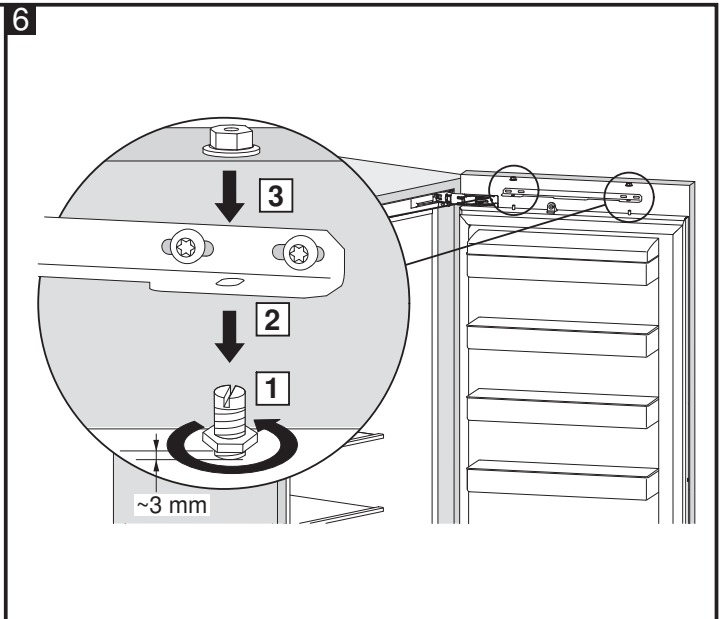
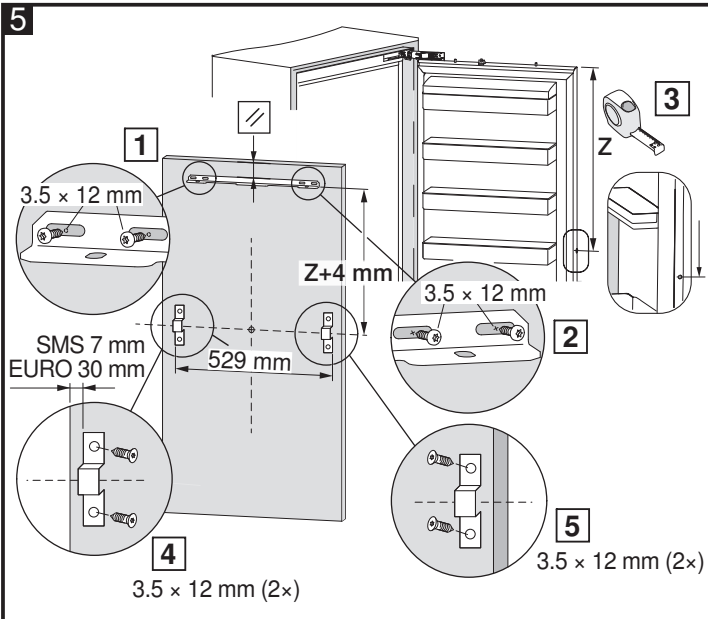
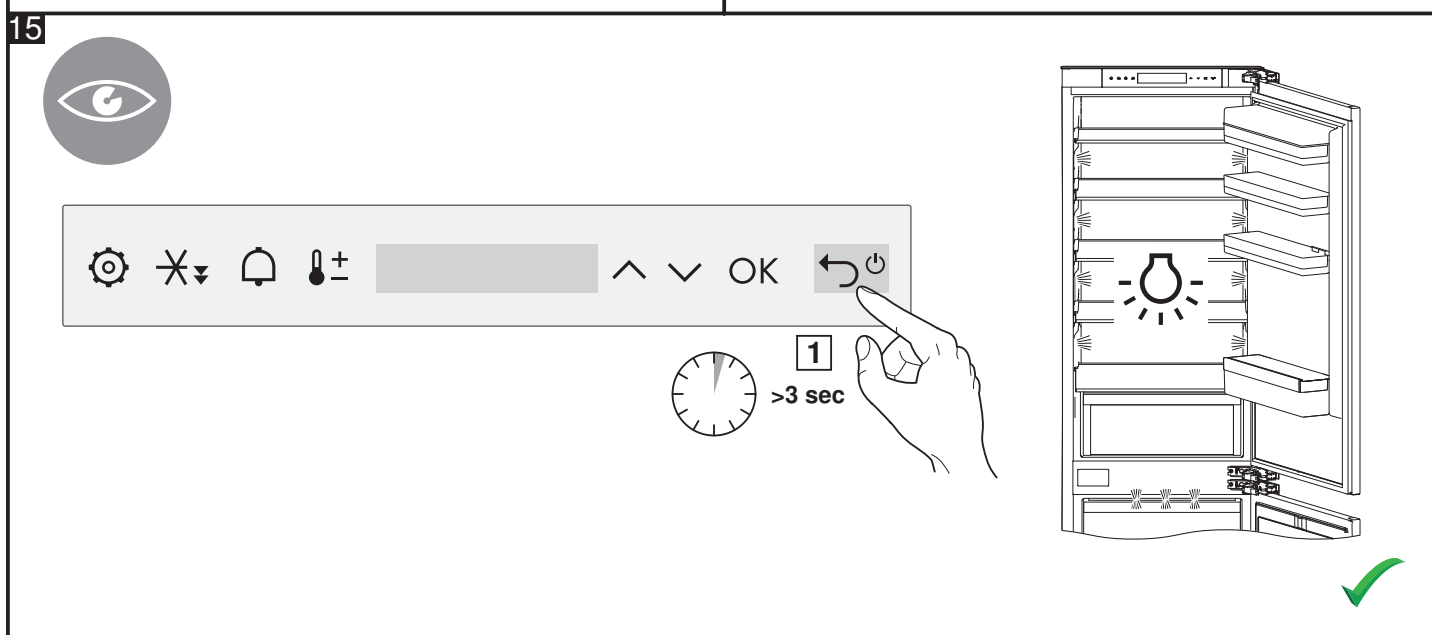
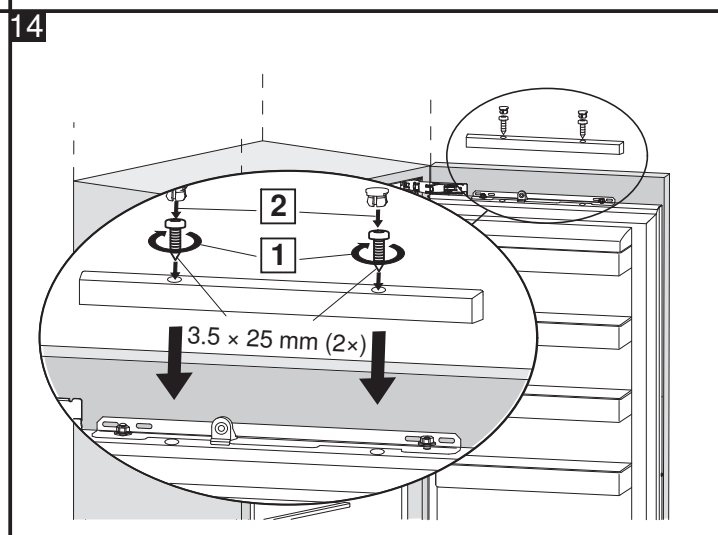
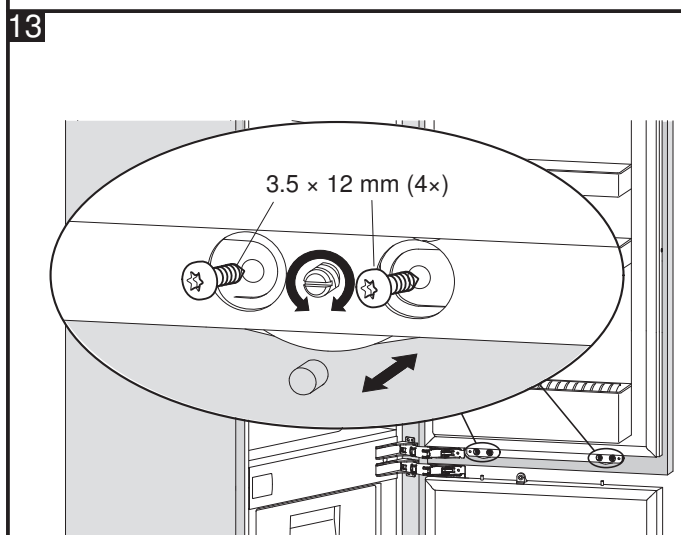
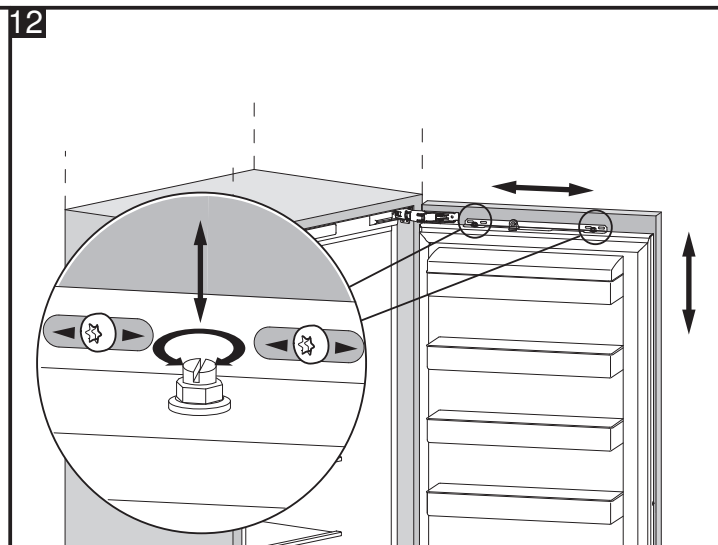
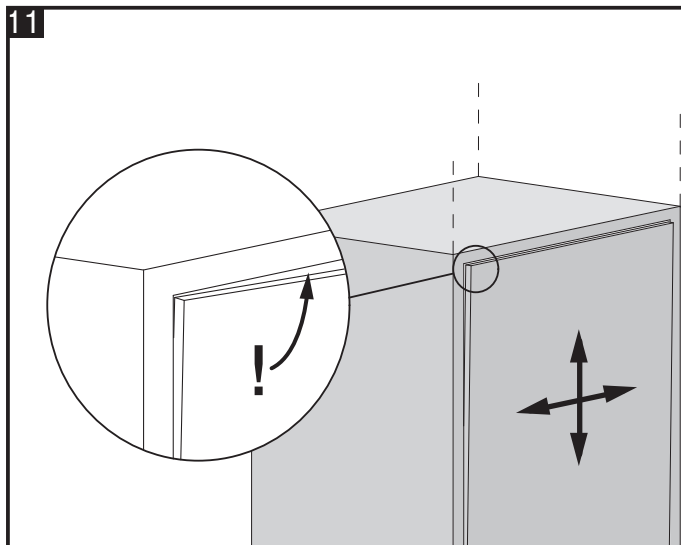


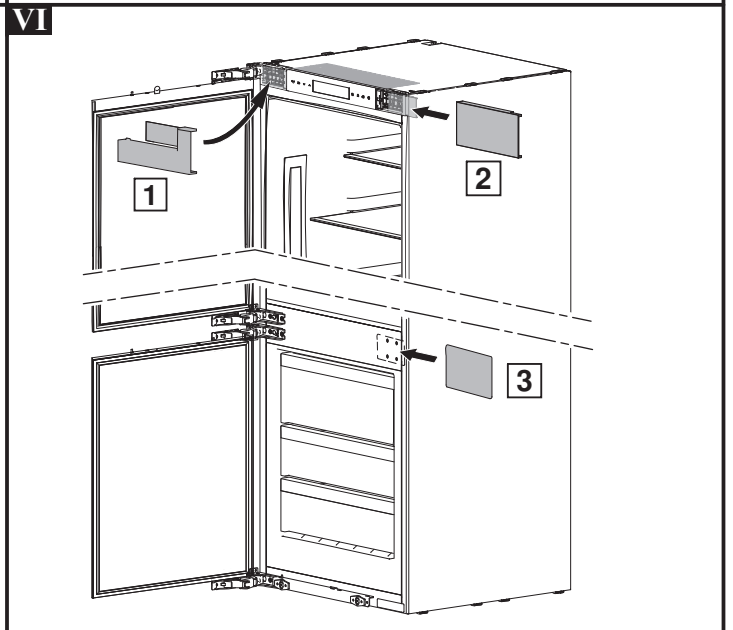
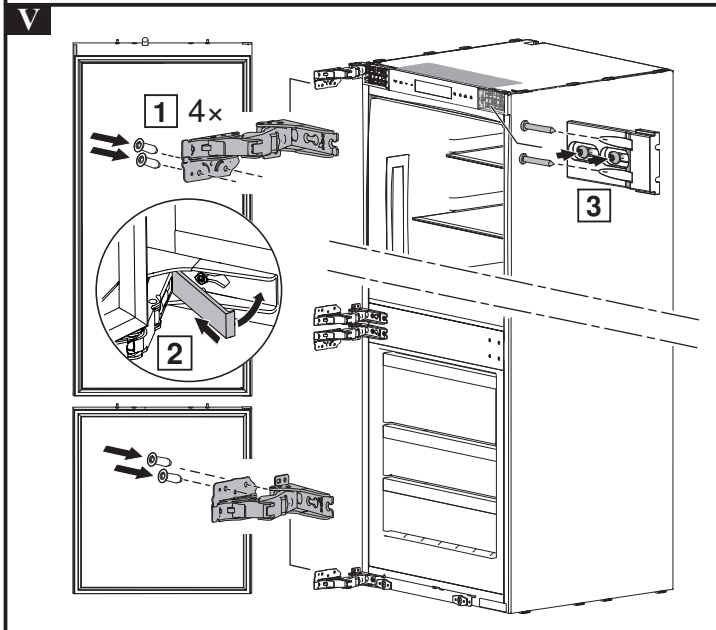
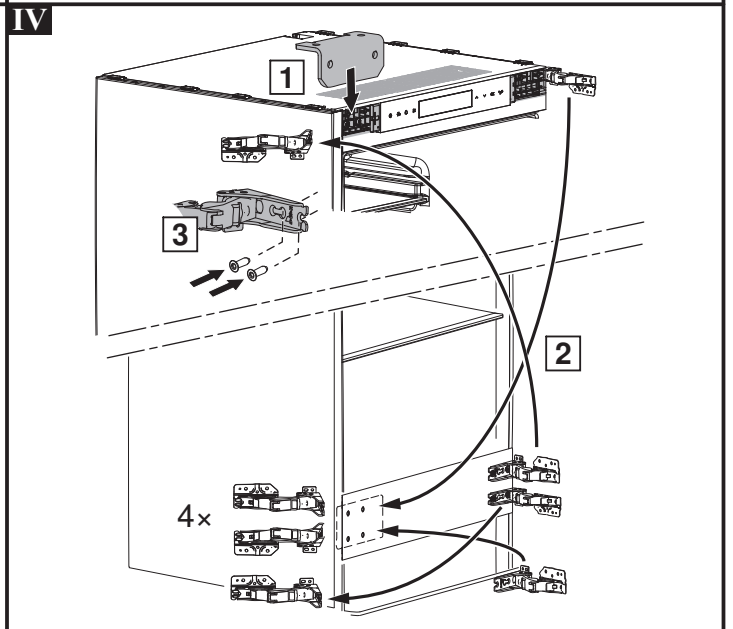
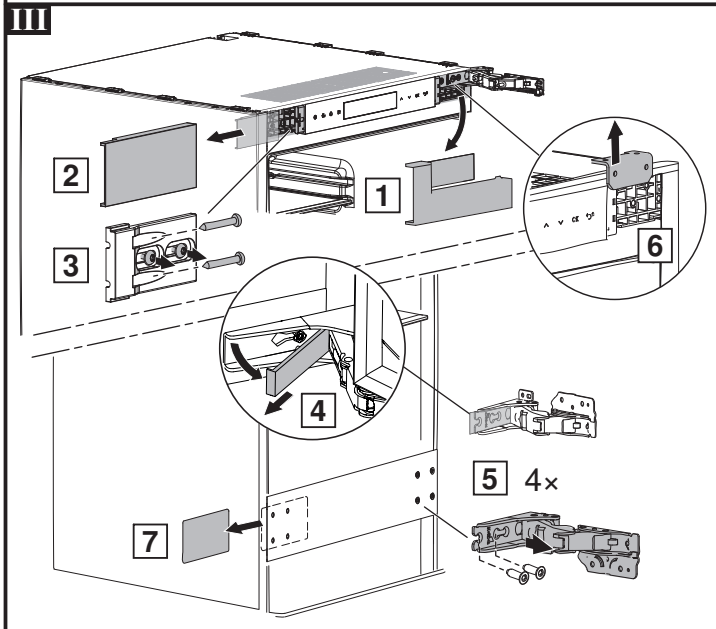
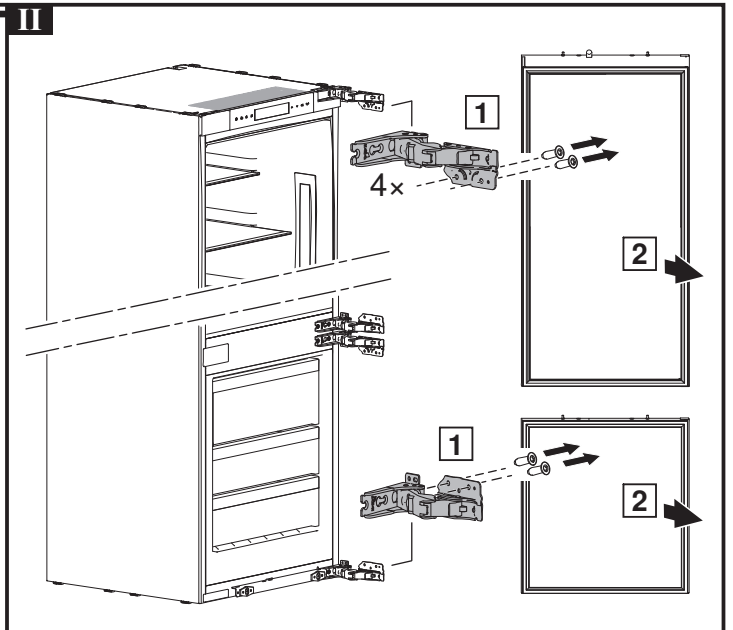
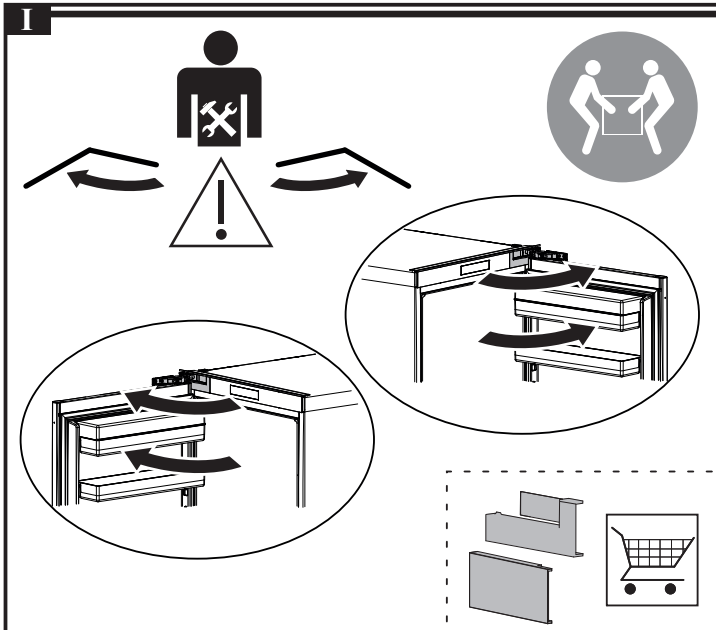
(*) > 560 mm ✓ 550-560 mm ✓ < 550 mm ✗

h [mm]	t [mm]	b [mm]	h1 [mm]	h2 [mm]	N [mm]	E [mm]	m1/m2 [≤kg]	SMS	EURO
1522 (12/6)	545	548	889 (7/6)	635 (5/6)	1524 ⁺²	1850	15 / 12	x	x
1649 (13/6)	545	548	1016 (8/6)	635 (5/6)	1651 ⁺²	2050	17,5 / 12	x	x
1776 (14/6)	545	548	508 (4/6)	1270 (10/6)	1778 ⁺²	2050	12 / 17,5	x	x
1776 (14/6)	545	548	1143 (9/6)	635 (5/6)	1778 ⁺²	2050	17,5 / 12	x	x
1776 (14/6)	545	548	1270 (10/6)	508 (4/6)	1778 ⁺²	2050	17,5 / 12	x	x











1061557-R02

07.03.2019

10181480
